

# DQC2

**Product Manual**

English

## Preface

Thank you for using this product. In order to better use this product in a more safely way, please read the user manual carefully.

Thank you for purchasing DEITY. We provide you with the DQC2 charger, which is specially designed for charging smart batteries. It has a unique dual-slot design that can provide charging functions for two smart batteries at the same time, effectively saving your time. In addition, DQC2 also adopts a splicable design, making it more flexible and able to meet various usage scenarios for multi-battery charging. We are aimed to provide you with efficient and convenient battery charging solutions to meet your needs. If you have any questions or need further assistance, please feel free to contact us. Thank you for choosing DEITY and we look forward to providing you with excellent service.

## Important

- Please read this User Guide carefully and keep it properly.
- When giving the product to others, be sure to attach this user guide.
- Please pay attention to all warnings and follow all instructions in the user guide.



Warning: Do not place this product in a place with corrosive chemicals to prevent it from being corroded. Corrosion may lead to product failure.

- Please clean this product with a soft or dry cloth.
- This product is a precision instrument. Please avoid dropping, colliding or receiving heavy blows during use.
- Please keep the product away from liquids. Liquid entering the product may result in electronic short circuit or damage the structure. Please keep this product in a dry, clean, dust-free environment.
- Please contact authorized maintenance personnel when maintenance is required. This product contains precision electronic circuits. Failure caused by unauthorized disassembly is not covered by our warranty, but the user can pay for repairs.
- This product has obtained CE, FCC, UKCA, PSE, RCM, IC, RoHS, and China RoHS quality inspection reports. Please refer to relevant national standards for use and operation. Damage to the machine caused by improper use is not covered by the warranty, but the user can pay for repairs.
- This user guide is developed based on our company's rigorous testing. Design and specifications are subject to change without prior notice.

# FCC Statement of Compliance

This product complies with Part 15 of the FCC Rules. Operation of the product must meet the two conditions below:

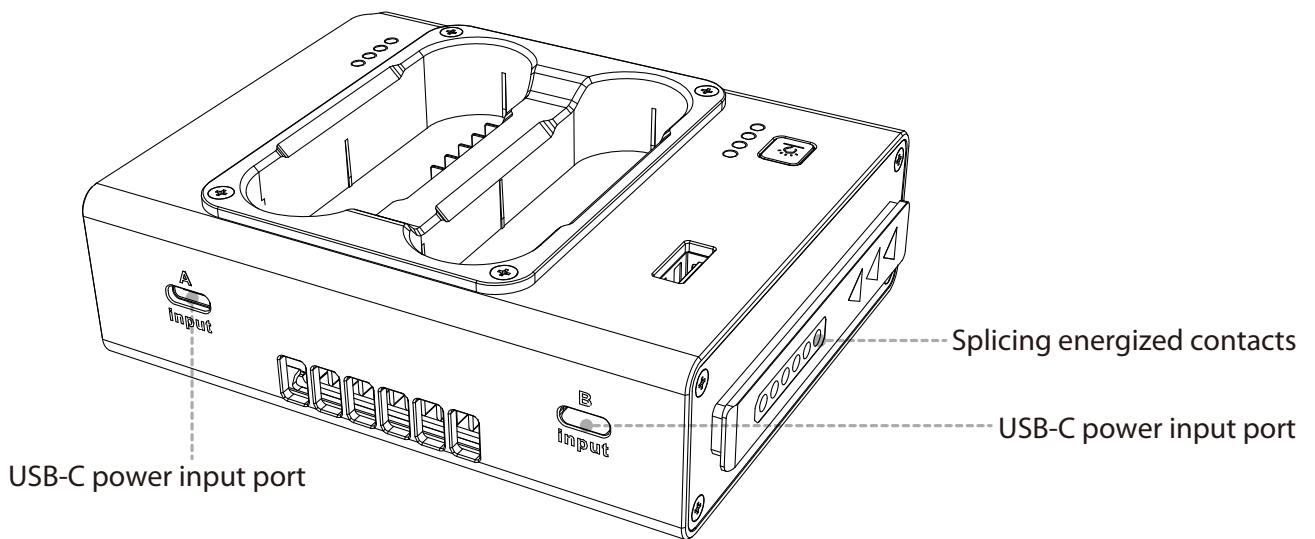
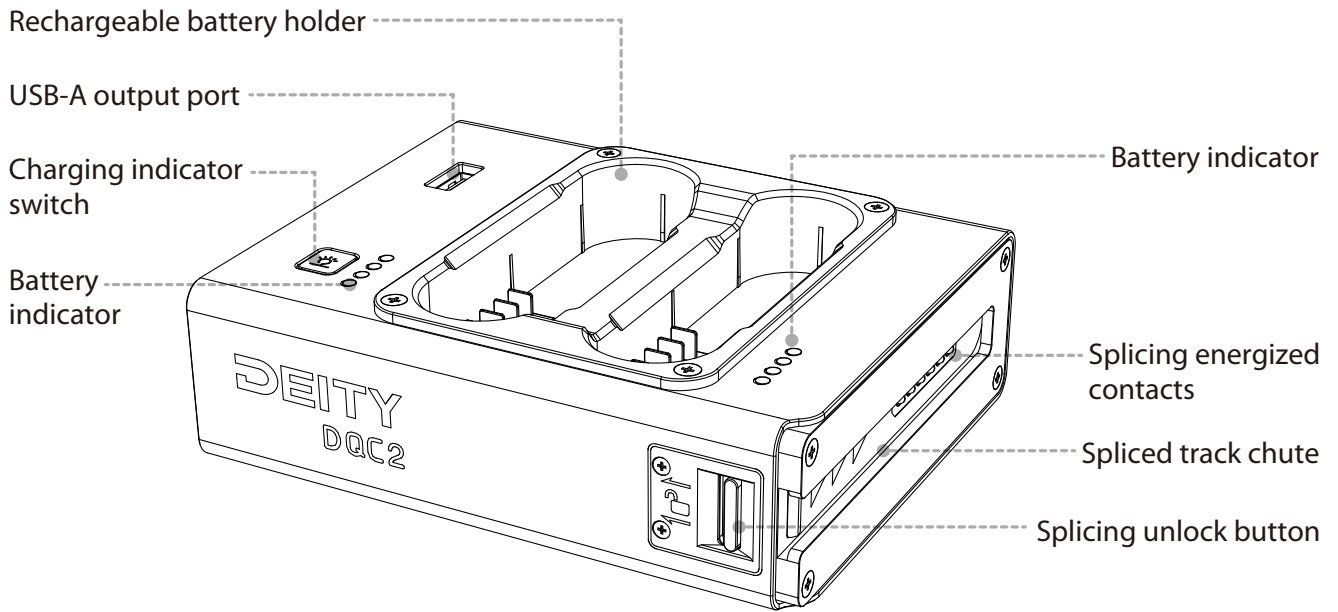
- (1) This device may not cause harmful interference;
- (2) This device must accept any interference received, including interference that may cause undesired operation.

**WARNING:** Any changes or modifications not expressly approved by DEITY may void the user's authority to operate the equipment.

**Note:** This equipment has been tested and determined to comply with the limits for a Class B digital device, pursuant to Part 15 of the FCC Rules. These limits are designed to provide reasonable protection against harmful interference in a residential installation. This equipment generates, uses and can radiate radio frequency energy. If not installed and used in accordance with the instructions, it may cause harmful interference to radio communications. However, there is no guarantee that there will not be any such interferences under the specific installation conditions. If this device does cause harmful interference to radio or television reception, which can be determined by turning the device off and on, the user is encouraged to try to correct the interference by one or more of the measures below:

- Adjust the direction or reposition the receiving antenna.
- Increase the distance between the device and receiver.
- Connect the equipment into an outlet on a circuit different from that to which the receiver is connected.
- Consult your dealer or an experienced radio/TV technician for assistance.

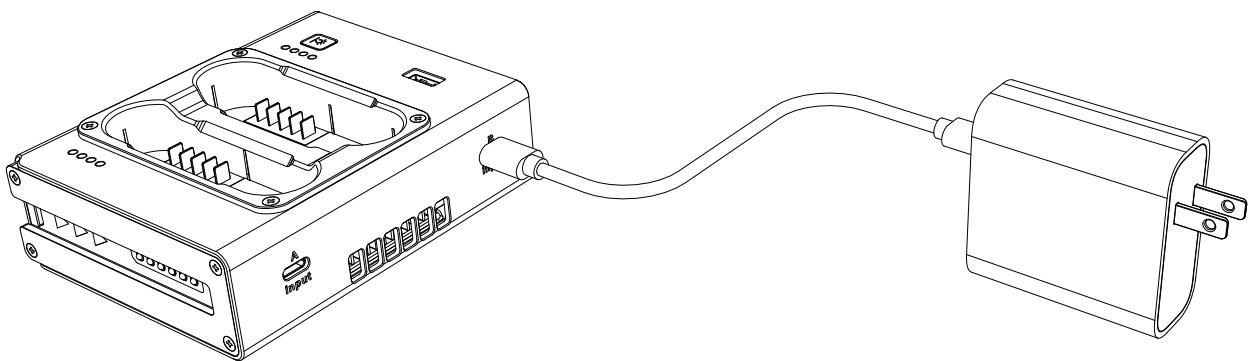
# Instructions for Use



## How to Use

### Connection of Power Adapter

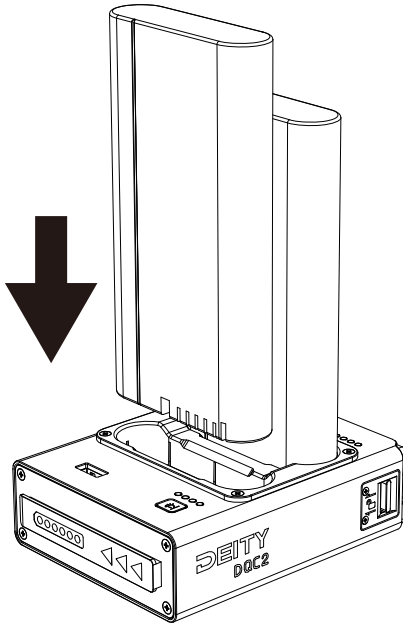
Use the original data cable and adapter, or the standard USB-C interface cable. Plug the USB-C port of the data cable into the USB-C power input port on the rear of the DQC2 charging stand, making sure it is connected firmly. The two USB-C input ports on the back of the DQC2 charging stand can be connected to power input, supporting up to 100W power input. The two charging input ports are back-ups for each other. The 100W power supply can be used alone, or it can be connected to two input power supplies at the same time. In the absence of high-power fast charging charging heads, if you want to charge at full power, you can use two charging heads at the same time to increase the input power. When both interfaces are connected to the charger at the same time, they still support a maximum power input of 100W (Both charging plugs need to support the same protocol).



### Smart Battery Charging

When charging the S-95 smart battery, insert it into the DQC2 charging base correctly by the position of the charging pins, and then start charging the smart battery. When the smart battery is inserted into the charging base, the device automatically recognizes the current battery level and displays the charging level during charging. The flashing indicator light is the current charging level progress, which is displayed in 4 segments. When the device temperature reaches 65°C, the charger's high temperature protection stops working, turns off the power output of all output ports, and flashes all charging indicators. When the temperature drops below 45°C, the software resets and resumes normal operation.

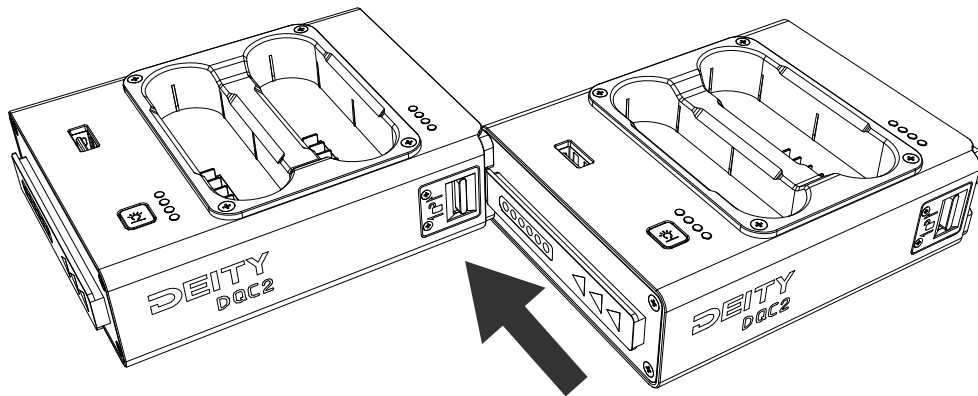
*Note: After the battery is inserted, the charger will take about 3 seconds to calculate the battery power, and then the corresponding light will be displayed based on the power. This is normal.*



## Splicing for Use

Multiple chargers can be connected to each other through the chute structure. There are contacts in the chute structure to energize (only 3 chargers can be spliced together at most): There is a locking structure on the top of the chute, which can lock the two chargers when they are used together to avoid sliding and dislocation during use, resulting in poor connection and failure to charge. In the splicing state, a full power 100W power input can only work for one DQC2 charger at a time. The spliced chargers are queued up in order. When the previous DQC2 charger has fully charged the battery, it can be intelligently switched to the rear splicing charger. When spliced, the USB-A of each charger can be used simultaneously. When the user splices more than 3 units, the fourth unit cannot be used, and an additional set of 100W charging plugs needs to be connected to power subsequent splicing chargers.

Splicing and unlocking: When the charging base is spliced, push the charging base splicing unlock button to unlock, and slide the charging base to unlock the splicing.



*Note: When the charger is spliced, it will be recognized by the smart power supply, so it will take about 3 seconds for the power indicator light of the later spliced charger to light up after connection. This is normal.*

## Function of Buttons

The button is the charging indicator switch. The battery indicator can be turned off when the battery is powered on. After turning off the battery indicator, the battery is still charging normally. Press the button again for a short while to light up the battery indicator again.

If the battery is over-discharged and the battery power indicator does not show power for a long time when it is inserted into the slot, press and hold the button for 5 seconds, and the battery power indicator flashes, indicating that it enters the forced charging mode. Over-discharged batteries have to be activated in this mode to charge normally.

Half-charge mode: Short press the button 5 times to enter half-charge mode. The charging power of a single battery is 23W. This mode is used to charge smart batteries with a power of about 50Wh. This mode can also be entered during forced charging.

(Note: After entering this mode, it will remain in this mode and cannot be exited. When you need to exit, DCQ2 needs to be powered off and then reconnected to the power supply.)

If the battery is completely discharged, the forced activation charging may not be successful, and you need to press and hold the button again to enter the forced charging mode.

## Light Display

- Charging status: 4 white battery indicator lights flash in sequence during charging. The flashing indicator lights are the current charging power progress, which are displayed in four sections of 25%, 50%, 75% and 100% respectively.
- Fully charged status: The 4 lights in the battery slot are always green.
- Battery connection status: The power indicator at the corresponding position of the battery slot displays the battery power.
- Waiting for charging (splicing state): Displays the current battery power while waiting for the status light.
- Press the button five times, the LED will flash green three times, and DQC2 enters half-charge mode.



# Introduction to Parameters

- Model: DEITY DQC2 smart battery charger
- Color: Black
- Applicable battery: Suitable for DEITY-S95 (98Wh) smart battery, including all commercially available smart batteries. Please use half-charge mode for S95 batteries with half capacity.
- Charging protocol: Complies with PD3.0 and Type-CV1.4 specifications, and also supports Apple divider 3, BC1.2 SDP, CDP, and DCP charging protocols.
- Input power: It is recommended to use a charger greater than 100W (chargers less than 100W can also be used but will affect the charging experience)
- Input parameters: Dual TYPE-C: 5V=3A 9V=3A 12V=3A 15V=3A 20V=5A(Max 100W)
- Output parameters: USB-A: 5V=2A; Dual BAT: S-95 battery charging (Max 50W)
- Product size: 124×95×39 mm
- Working temperature: 0~55°C

The above data are all measured by DEITY Audio Laboratory and are subject to actual data!

*Tip: The illustrations in this manual are for reference only. Due to the continuous development of new product versions, if there is any discrepancy between this product and the user manual illustrations, please refer to the product itself.*

# Protect you from all kinds of dangers

---



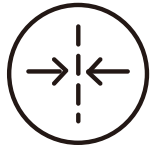
**Overcharging  
Protection**



**Overcurrent  
Protection**



**Overdischarge  
Activation**



**Short Circuit  
Protection**



**Overvoltage  
Protection**



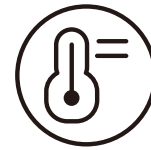
**Overpower  
Protection**



**Restoration  
Protection**



**Electromagnetic  
Field Protection**



**Over Temperature  
Protection**

## **Disclaimer**

Before use, please read the user manual of this product to ensure correct use after full understanding. After reading, please keep the user manual properly for future reference. If you do not operate this product correctly, you may cause serious injury to yourself or others, or cause damage to the product and property. Upon using this product, it is deemed that you have understood, recognized and accepted all the terms and contents of this document. Users promise to be responsible for their own actions and all consequences arising therefrom. DEITY is not responsible for any losses caused by the user not using the product in accordance with the User Manual.

Subject to compliance with laws and regulations, our company has the final right to interpret this document and all related documents for this product. Should be any update, revision or termination without prior notice, please visit the DEITY official website for the latest product information.