

**BF1**

**User Manual**

English

## Product Description

The BF1 antenna is an antenna specially designed for UHF wireless systems. It has excellent signal reception and transmission capabilities and is especially suitable for professional wireless recording applications. Its bandwidth covers 470MHz-1GHz and adopts vertical polarization mode, which can show superior performance in today's complex RF environment. The antenna is made of composite fiberglass material, which is lightweight and strong.

## Features

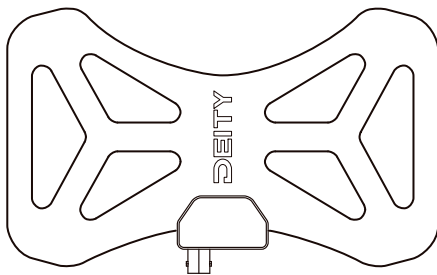
Broadband gain antenna, 1/4 thread port

Average gain 2.2dBi, omnidirectional passive

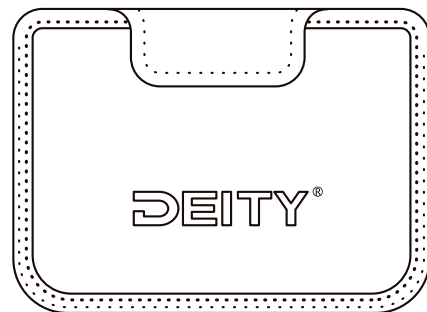
Filter covers 470~1GHz

Made of composite fiberglass, IP67

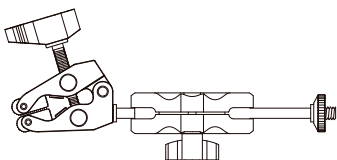
## Packing List



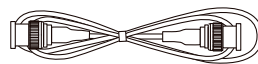
BF1 Antenna 2x



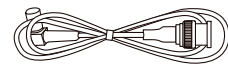
Antenna Pouch 1x



Antenna Clamp Mount 2x



BNC - BNC Cable 2x

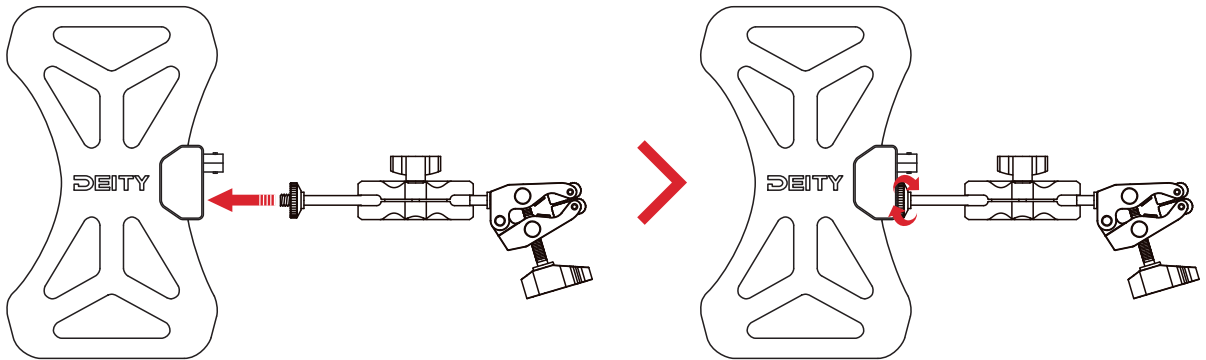


BNC - SMA-M Cable 2x

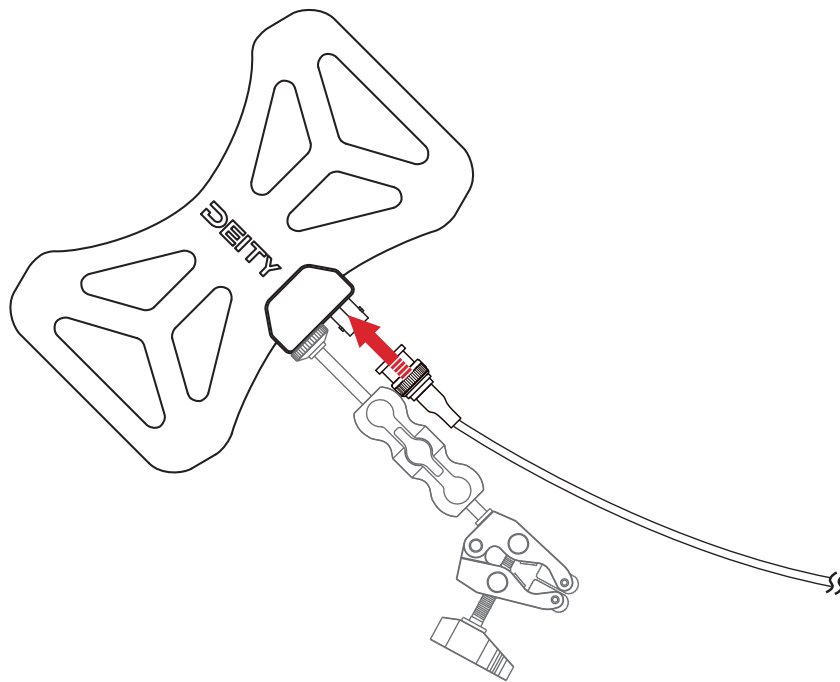
# Usage

## 1. Setup

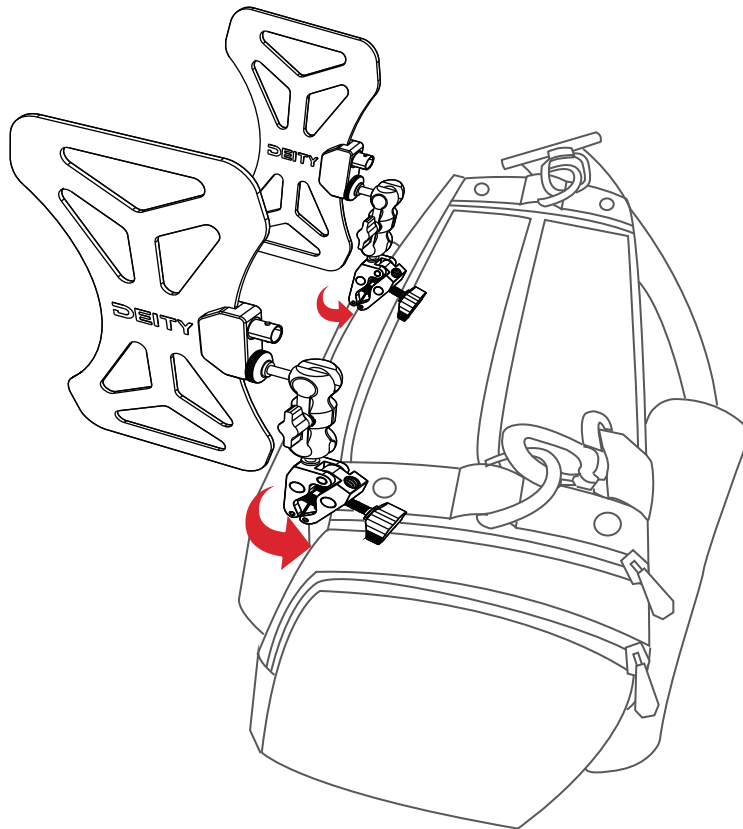
- Screw the supplied clamp mount to the BF1 antenna.



- Connect the BNC Cable to the antenna, and the other end to your receiver/antenna distribution.

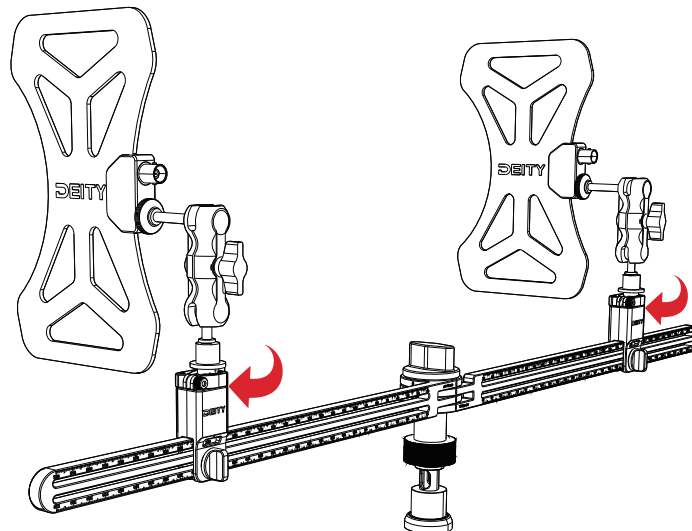


- Fix the clamp mounts to your recorder bag, and secure it in a stable position.



## 2. Antenna Bar Setup

- Remove the clamp from the mount, and screw the mount to the antenna bar.



### **3. Turn on and test**

- Turn on your receiver and test the signal strength.
- Test the reception with various distances and locations.

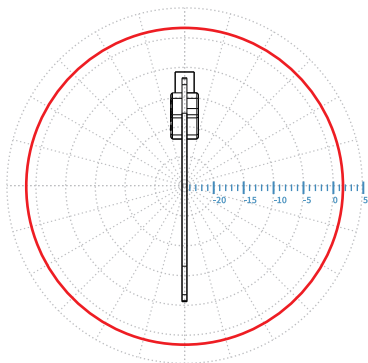
### **4. Adjustment and optimization**

- Optimize the antenna angle for optimal signal reception based on environment and requirements.
- If you encounter signal interference, try moving the location or changing the channel.

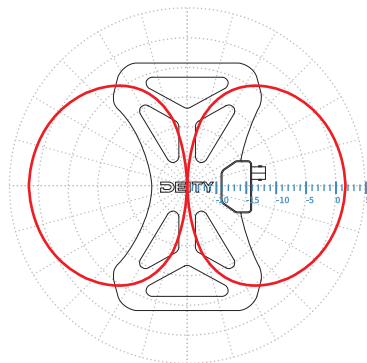
## Specifications

<b>Antenna type</b>	Passive antenna
<b>Frequency Range</b>	470 MHz — 1GHz
<b>Input impedance(<math>\Omega</math>)</b>	50
<b>Standing wave ratio</b>	<1.5 (550MHz~750MHz)
<b>Gain(dBi)</b>	2.2dBi (Average)
<b>Antenna polarization</b>	Linear
<b>Material</b>	Composite fiberglass material
<b>Installation interface</b>	1/4" threaded mounts
<b>RF interface</b>	BNC
<b>Size</b>	190*118*14mm
<b>Weight</b>	About 95g (excluding cable)

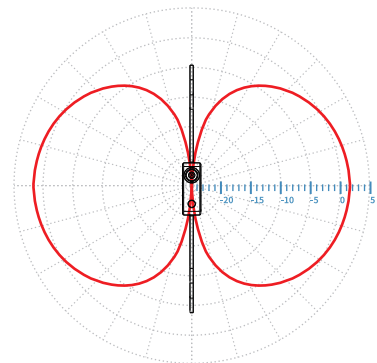
## Polar Patterns and Polarization



TOP VIEW



FRONT VIEW



SIDE VIEW