

S-Mic 3

Product Manual


English

Foreword

Thank you for purchasing the DEITY S-Mic 3

DEITY S-Mic 3 is a professional shotgun condenser microphone with excellent broadcast sound quality, good weather resistance design, high sensitivity, low self-noise and high level anti-radio frequency interference ability, suitable for news gathering, wedding videos, film & TV studio, and various outdoor recording.

Instructions

- Please read this product manual carefully.
 - Keep this product manual. Always include this product manual when passing the products on to third parties.
 - Heed all warnings and follow all instructions in this product manual.
-  **WARNING:** Do not place the product in a place where there are corrosive chemicals to protect the product from corrosion , corrosion may cause the product to malfunction.
- Use only a microfiber and dry cloth for cleaning the product.
 - Operate carefully to not cause any damage by dropping or physical shocking it.
 - Keep all liquids away from the product. Liquids entering the product can short-circuit the electronics or damage the mechanics.
 - Keep storing the product in a dry, clean, dust-free environment.
 - It is not allowed to disassemble the product yourself. Please have the product checked by the authorized service or agent if your product has some problems. Please note that this warranty does not apply to repair arising out of the malfunction of unauthorized disassembly , although you may request such repairs on a chargeable basis.
 - The product is certificated by RoHS and CE. Please operate the product in compliance with the operation standards. Please note that this warranty does not apply to repair arising from malfunction, although you may request such repairs on a chargeable basis.
 - The instructions and information in this manual are based on thorough, controlled company testing procedures. Further notice will not be given if the design or specifications change.

FCC Conformity Statement

This device complies with part 15 of the FCC rules. Operation is subject to the following two conditions:

(1) This device may not cause harmful interference

(2) This device must accept any interference received, including interference that may cause undesired operation.

Warning: Changes or modifications not expressly approved by the party responsible for compliance could void the user's authority to operate the equipment.

NOTE: This equipment has been tested and found to comply with the limits for a class B digital device, pursuant to part 15 of the FCC rules. These limits are designed to provide reasonable protection against harmful interference in a residential installation. This equipment generates, uses and can radiate radio frequency energy and, if not installed and used in accordance with the instructions, may cause harmful interference to radio communications. However, there is no guarantee that interference will not occur in a particular installation. If this equipment does cause harmful interference to radio or television reception, which can be determined by turning the equipment off and on, the user is encouraged to try to correct the interference by one or more of the following measures:

- Reorientate or relocate the receiving antenna.
- Increase the distance separating the equipment and receiver.
- Connect the device to a different power supply than that which the receiver is connected to.
- Consult the dealer or an experienced radio/TV technician for help.

FCC Radiation Exposure Statement

The device has been evaluated to meet general RF exposure requirements. The device can be used in portable exposure condition without restriction.

Intended Use

Intended use of the DEITY S-Mic 3 includes:

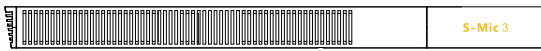
- The user has read the instructions of this manual.
- The user is using the products within the operating conditions and limitations described in this product manual
- "Improper use" means using the products other than as described in these instructions or under operating conditions which differ from those described herein.

Tips and Trouble Setting

- The use of high quality XLR cables is recommended. Minimising the cable length between the microphone and the recorder input will further improve the signal quality.
- The Deity has a very good weather resistance design, usually use only need proper care and maintenance. After any recording session where the microphone may come in contact with moisture or condensation, the microphone should be thoroughly dried and placed inside the safe case for protection. In addition, the silica gel desiccant inside the safe case can be reused. If the color of the desiccant is changed from orange to green completely, you can remove the desiccant and then bake it into orange (For example, bake in a microwave oven for about 10 minutes).

Check List

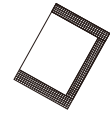
Package includes the following items:



Condenser Microphone*1



Microphone Clamp*1



Desiccant*1



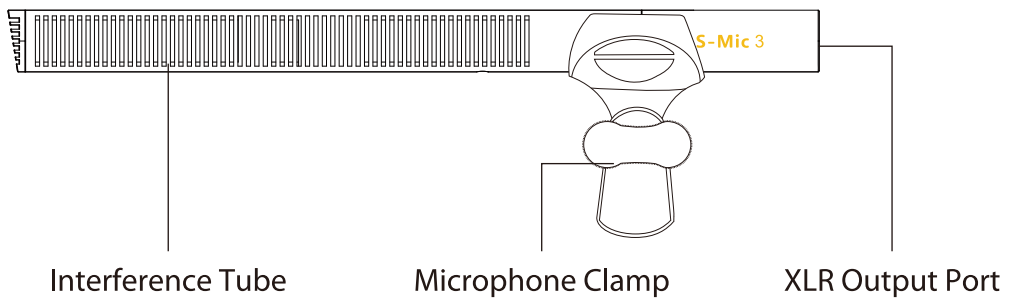
Windscreen*1



Protective Wooden Box*1

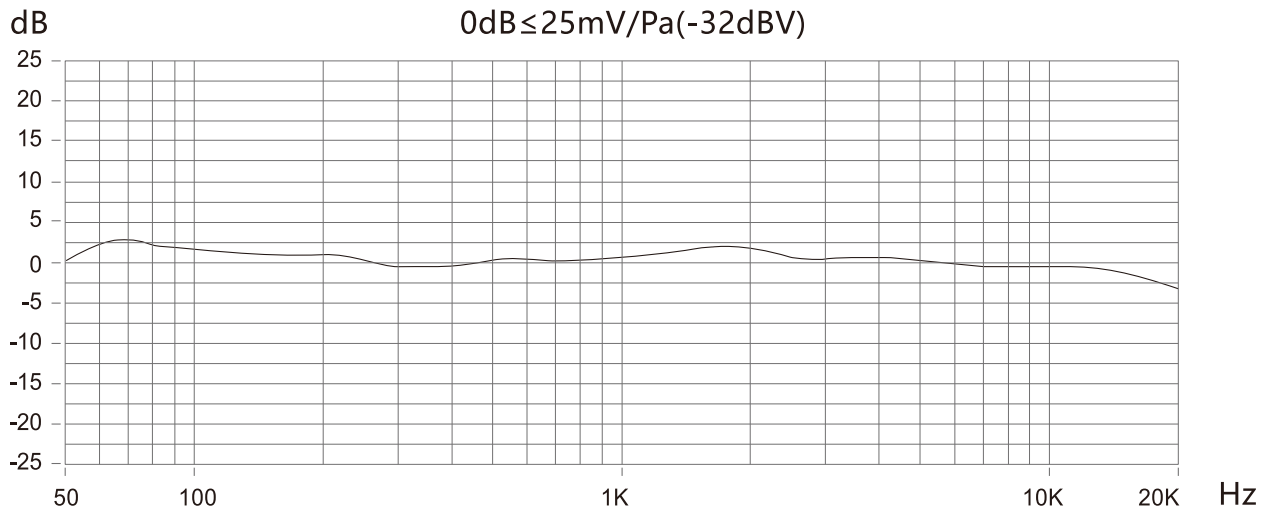
Reminder: All illustrations in the instructions are for reference only. The physical product may differ from the schematic diagram due to continuous updates and upgrades.

Nomenclature

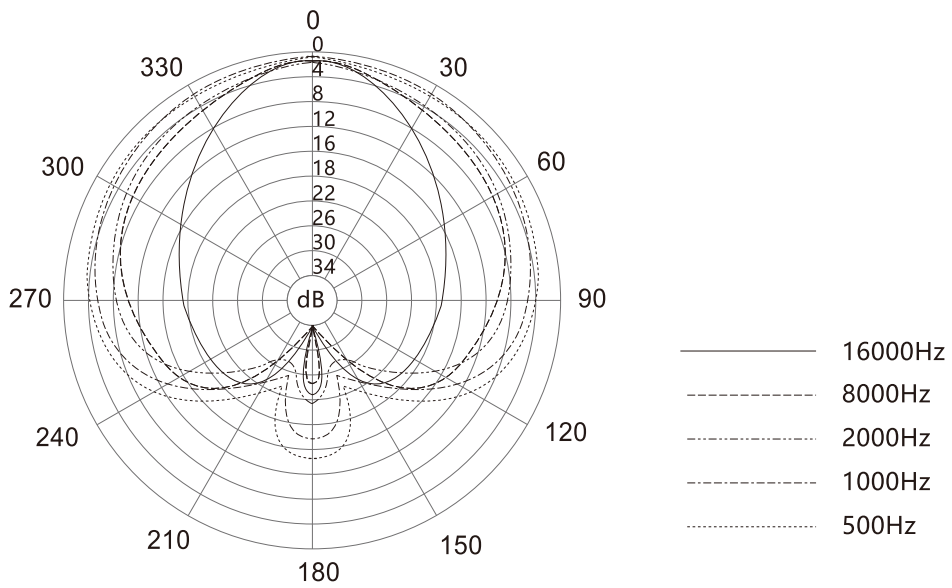


Specifications

1. Frequency Response



2. Polar Pattern



3.Performance Parameter

Polar Pattern	Super Cardioid
Maximum SPL	130dB SPL(@1KHZ,1% THD into 1K Ω)
Frequency Range	50~20kHz
THD	$\leq 0.5\%$
NominallImpedance	75 Ω
Min.Terminating Impedance	approx 800 Ω
Sensitivity	-32 \pm 2dB re 1V/Pa @1kHz
Equivalent Noise Level	12dB(A-weighted)24dB(CCIR 268-3)
Input Voltage	24V or 48V phantom powering
Current Consumption	< 4.5mA
Lemperature Range	-20 $^{\circ}$ C to +70 $^{\circ}$ C
Dimensions	ϕ 19 x 250mm
Output	3-Pin XLR
Weight	about 80g

The above data are all measured by the DEITY audio laboratory, and are subject to the actual data!

Tip: The illustrations in this manual are for reference only. Due to the continuous development of new product versions, if there is any discrepancy between this product and the user manual illustrations, please refer to the product itself.

Disclaimer

Please read the User's Manual before usage to ensure that you have fully understood the instructions and can correctly operate the device. After your reading, please keep the User's Manual properly for reference in the future. If you fail to operate the product correctly, you may get injured seriously or harm others seriously, or damage the product and result in your property damage. Your operation of the product will be deemed that you have understood, recognized and accepted all clauses and content of this document. Users undertake to be responsible for their behaviors and the consequences accordingly. DEITY will not be responsible for all losses arising from users' operation of this product not in accordance with the User's Manual.

The Company reserves the right for the final explanation of this document and all documents relating to the product on the premise of compliance with laws and regulations. No further notice will be given in the event of any update, revision or termination. Please access the official website of DEITY for the up-to-date product information.