

# SPD mini

User's Manual

English


## **Preface**

Thank you for using this product. To ensure better and safer use, please carefully read the user manual.

## **Scope of Application**

This user guide applies to the SPD mini power distribution system from Shenzhen Aputure Innovation Technology Co., Ltd. (hereinafter referred to as Aputure). It describes the dimensions, features, technical requirements, and precautions for this product.

# Important Instructions

- Please carefully read this user guide and keep it in a safe place.
- When handing the product to others, be sure to include this user guide.
- Pay attention to all warnings and follow all instructions in the user guide.
- Warning: Do not place this product in areas with corrosive chemicals to avoid corrosion, which may cause the product to malfunction. 
- Clean the product with a soft, dry cloth.
- This product is a precision instrument; avoid dropping, colliding with, or subjecting it to heavy impacts.
- Keep the product away from liquids, as liquid ingress may cause short circuits or structural damage. Store the product in a dry, clean, and dust-free environment.
- Contact authorized service personnel for repairs. This product contains precision electronic circuits. Unauthorized disassembly resulting in malfunctions is not covered under warranty, but the user may opt for paid repairs.
- This product has passed CE, FCC, RCM, UKCA, ROHS, Quality Inspection Report, China ROHS, and IC certifications. Please refer to the relevant national standards for usage and operation. Damage caused by improper use is not covered under warranty, but the user may opt for paid repairs.
- This user guide is based on rigorous testing by our company. Design and specifications are subject to change without notice.

## FCC Compliance Statement

This product complies with Part 15 of the FCC Rules. Operation is subject to the following two conditions:

- (1) This device may not cause harmful interference;
- (2) This device must accept any interference received, including interference that may cause undesired operation.

**[Warning]** Changes or modifications not expressly approved by DEITY could void the user's authority to operate the equipment.

**[Note]** This equipment has been tested and found to comply with the limits for a Class B digital device, pursuant to Part 15 of the FCC Rules. These limits are designed to provide reasonable protection against harmful interference in a residential installation. This equipment generates, uses, and can radiate radio frequency energy, and if not installed and used in accordance with the instructions, may cause harmful interference to radio communications. However, there is no guarantee that interference will not occur in a particular installation. If this equipment does cause harmful interference to radio or television reception, which can be determined by turning the equipment off and on, the user is encouraged to try to correct the interference by one or more of the following measures:

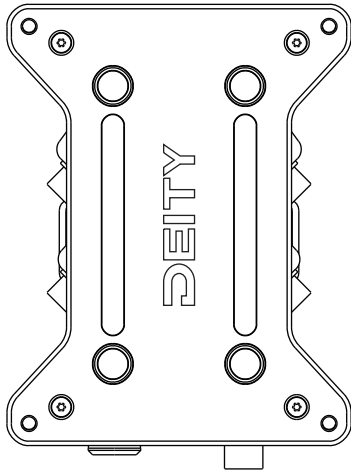
- Reorient or relocate the receiving antenna.
- Increase the separation between the equipment and receiver.
- Connect the equipment into an outlet on a circuit different from that to which the receiver is connected.
- Consult the dealer or an experienced radio/TV technician for help.

## FCC Radiation Exposure Statement

This equipment complies with FCC radiation exposure limits set forth for an uncontrolled environment. The end user must follow the specific operating instructions for satisfying RF exposure compliance.

# Quick Guide to Product Overview

## Items Included



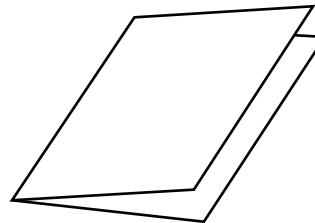
SPD mini  
(1 pc)



DEITY Logo Stickers  
(1 pc)

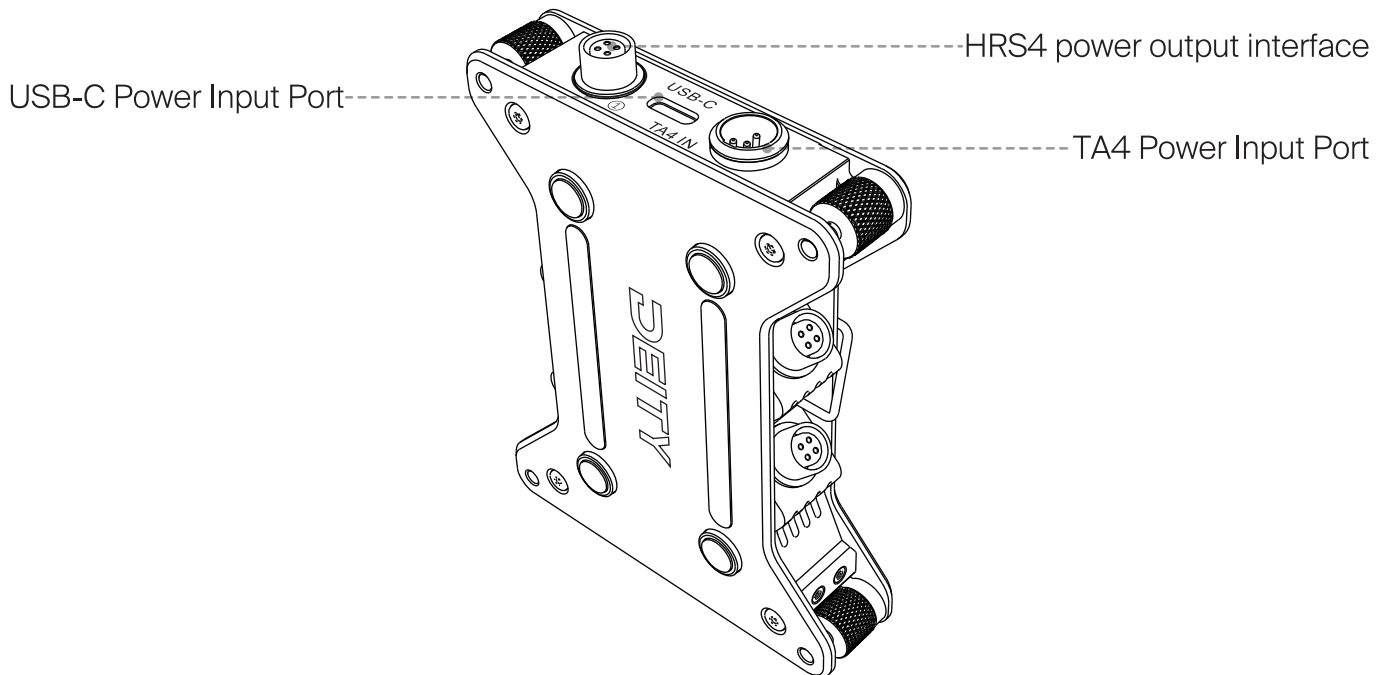
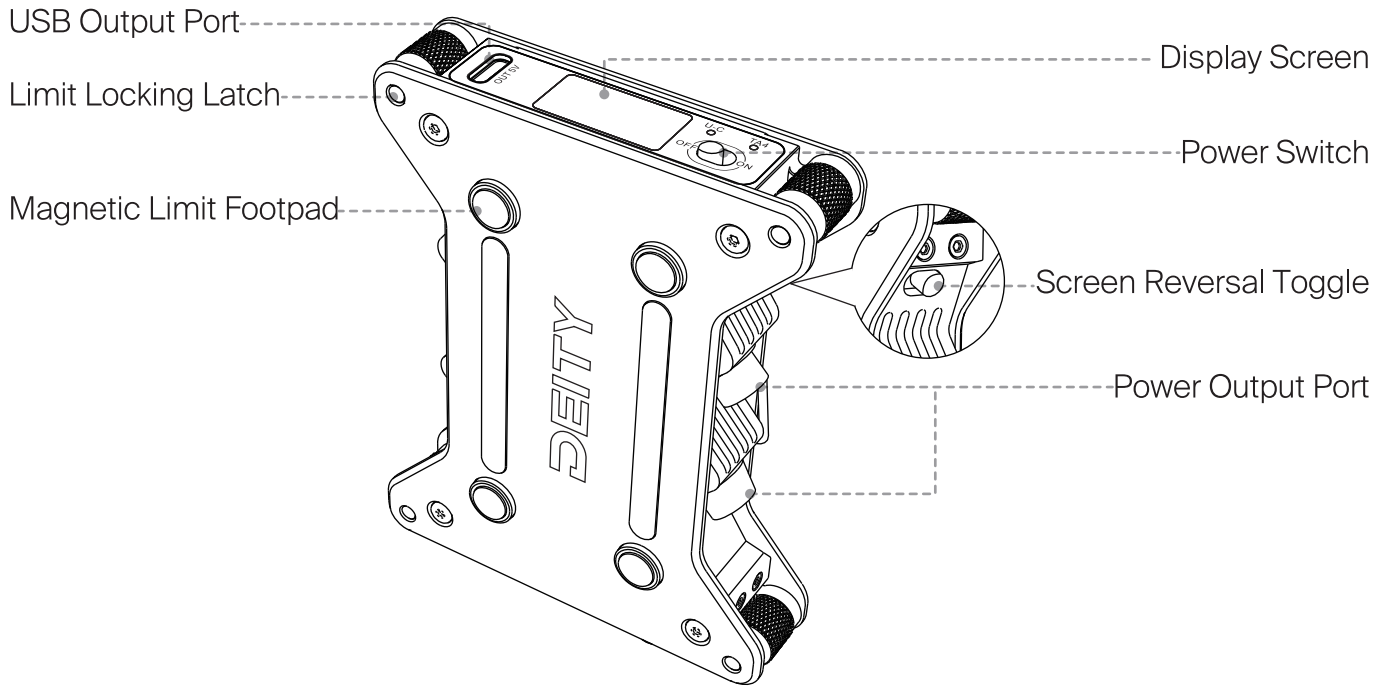


DEITY QR Code Card  
(1 pc)



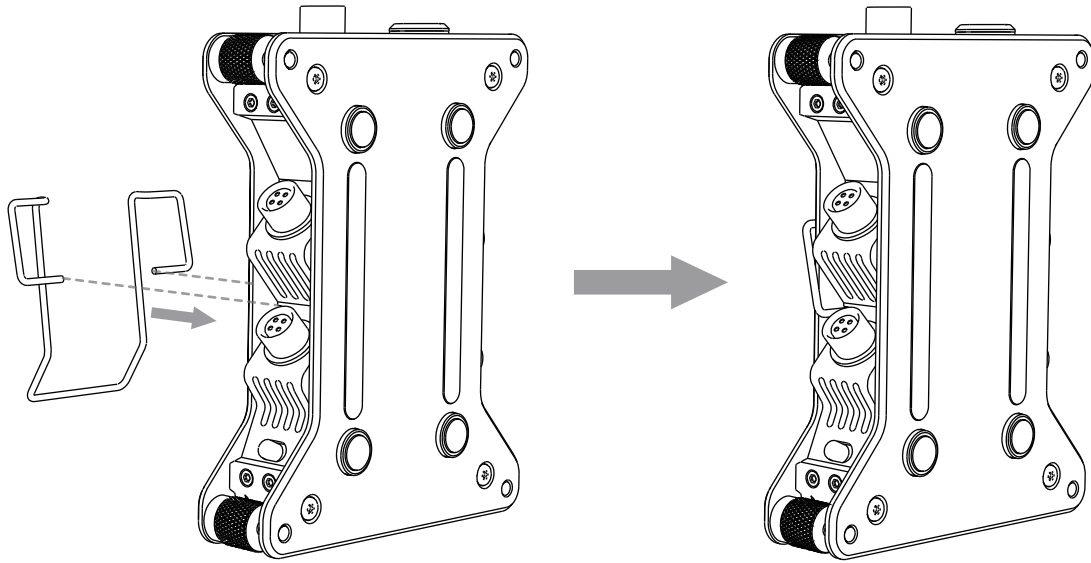
Warranty Card  
(1 pc)

## Product Overview



# Usage Instructions

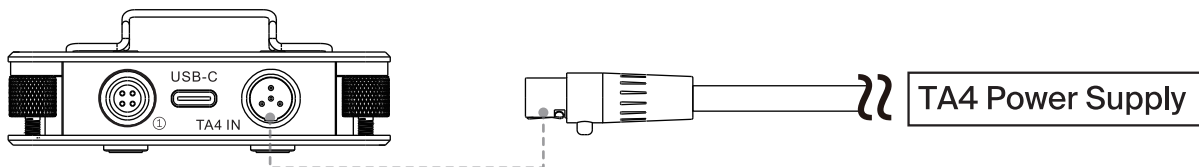
## Back Clip Installation



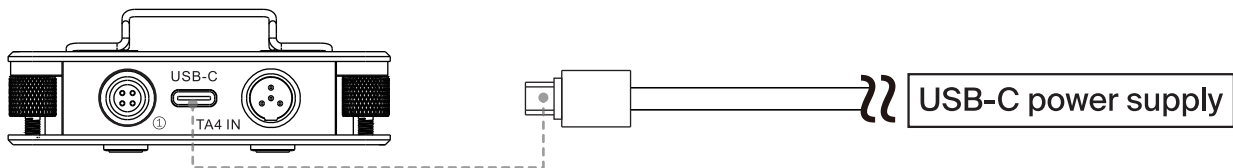
## Back Clip Installation

The SPD mini has two power input ports:

1. **TA4 Port:** Connect an external power source or smart battery to the TA4 port. Turn on the power switch, and the screen will light up to display power status information.



2. **USB-C Port:** Connect the USB-C power cable from an external power source or smart battery to the USB-C power input port on the device. Turn on the power switch, and the screen will light up to display power status information.



## Indicator Light Explanation

TA4 Power Supply:

- (1) Red Light Steady On: < 13V
- (2) Green Light Steady On: > 13V
- (3) Red Light Flashing Slowly: > 18V

**PD Protocol Adapter:**

TYPE-C Power Supply:

- (1) Red Light Steady On: 9V, 12V
- (2) Green Light Steady On: 15V



## Menu Description

### Smart Battery Interface

Remaining Battery Runtime

Remaining Battery Percentage

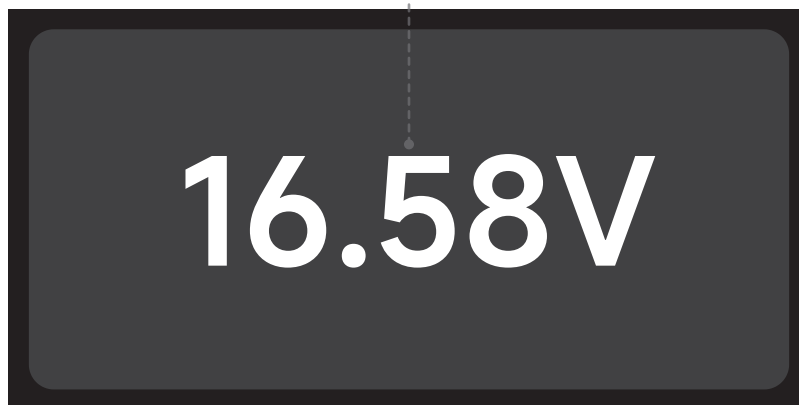


Smart Battery Charge Indicator Bar

Smart Battery Charge Cycle Count

### Non-Smart Battery Interface

Non-Smart Battery Input Voltage



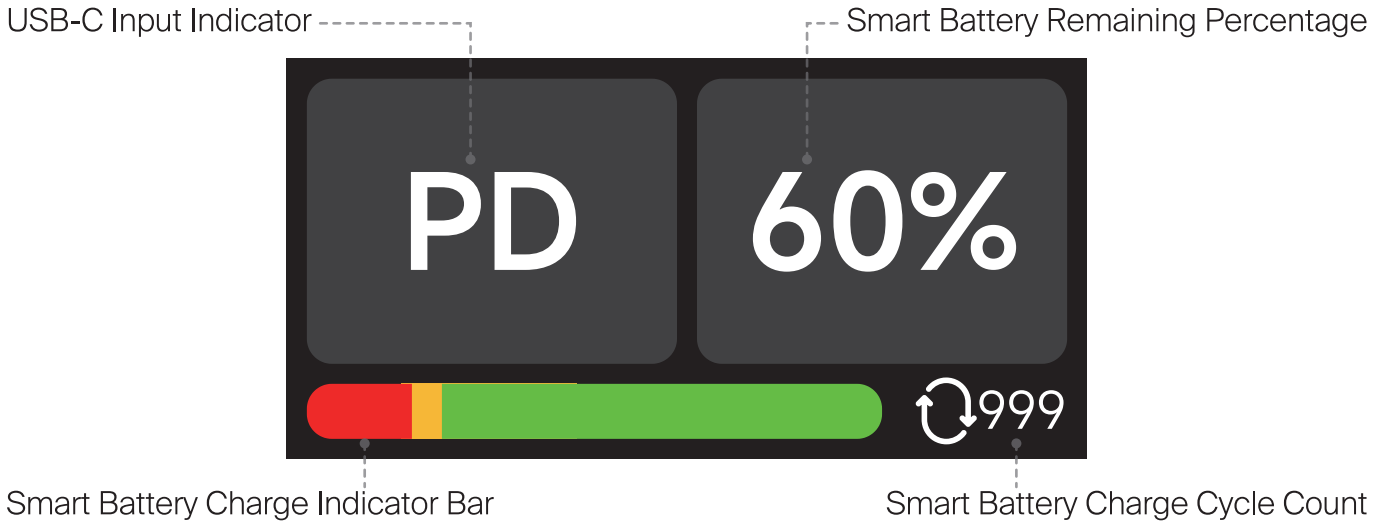
### USB-C Input Interface

USB-C Input Indicator

USB-C Input Voltage



## Smart Battery & USB-C Input Power Supply Interface

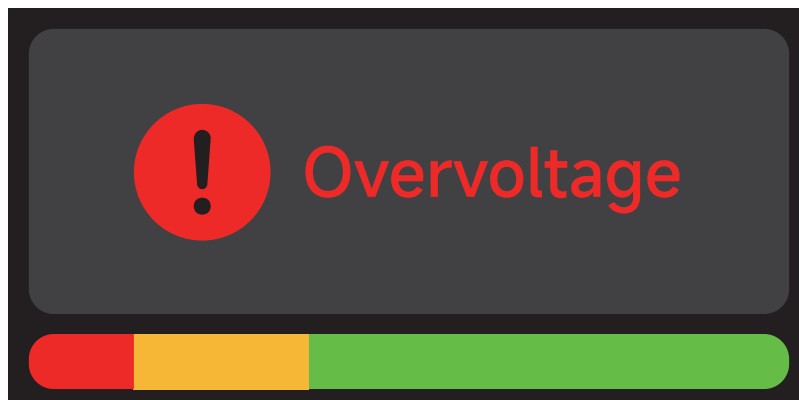


## Non-Smart Battery & USB-C Input Power Supply Interface



## Input Overload (Overvoltage)

When the power input voltage reaches or exceeds 18V, the screen will display "Overvoltage" to indicate an input overload. At this point, all output power transmission will be stopped.



## Parameter Overview

<b>Input Voltage</b>	12-18V
<b>Output Current</b>	HRS: Output 1: 5A Outputs 2, 3, 4, and 5: 2A each TYPE-C : 5V/3A
<b>Input</b>	TA4x1 USB-Cx1
<b>Overload signal</b>	4-Pin Aviation Connectors x5 USB-Cx1 RPS
<b>Display Screen</b>	TFT
<b>Housing Material</b>	Aluminum Alloy
<b>Dimensions</b>	105.3x78x20.7mm
<b>Weight</b>	185g (without steel wire back clip) ±2g

*The above data are measured by the DEITY Audio Laboratory and are subject to the actual product!*

*Note: The illustrations in this manual are for reference only. Due to ongoing development of new product versions, if there are any discrepancies between the product and the illustrations in the user manual, please refer to the actual product.*

# Disclaimer

Please read the User's Manual before usage to ensure that you have fully understood the instructions and can correctly operate the device. After your reading, please keep the User's Manual properly for reference in the future. If you fail to operate the product correctly, you may get injured seriously or harm others seriously, or damage the product and result in your property damage. Your operation of the product will be deemed that you have understood, recognized and accepted all clauses and content of this document. Users undertake to be responsible for their behaviors and the consequences accordingly. DEITY will not be responsible for all losses arising from users' operation of this product not in accordance with the User's Manual.

The Company reserves the right for the final explanation of this document and all documents relating to the product on the premise of compliance with laws and regulations. No further notice will be given in the event of any update, revision or termination. Please access the official website of DEITY for the up-to-date product information.