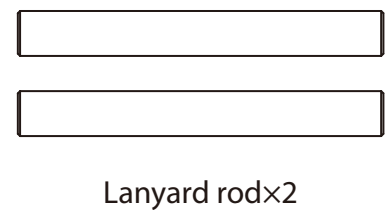
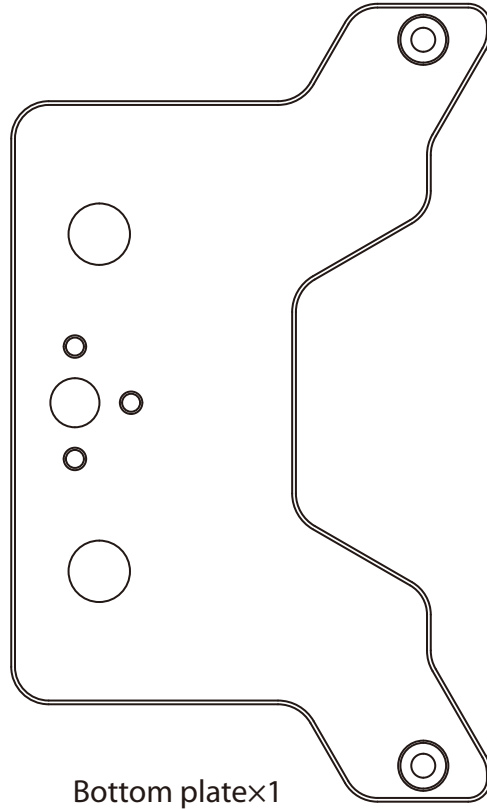
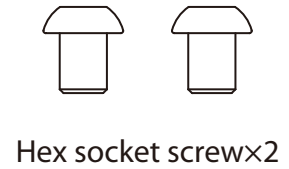
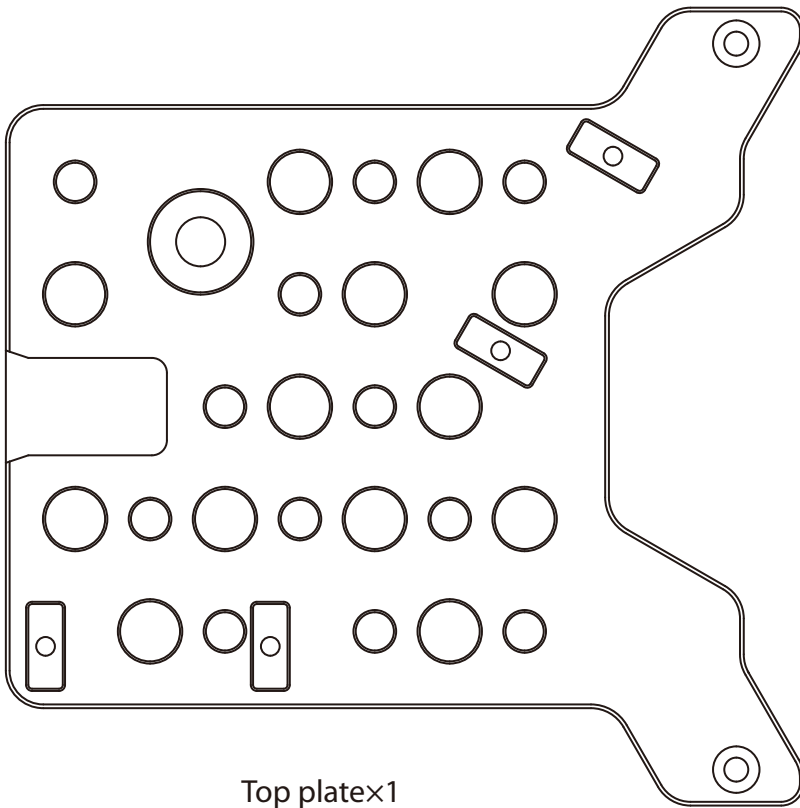


# Deity PR4 Cage

Quick Guide

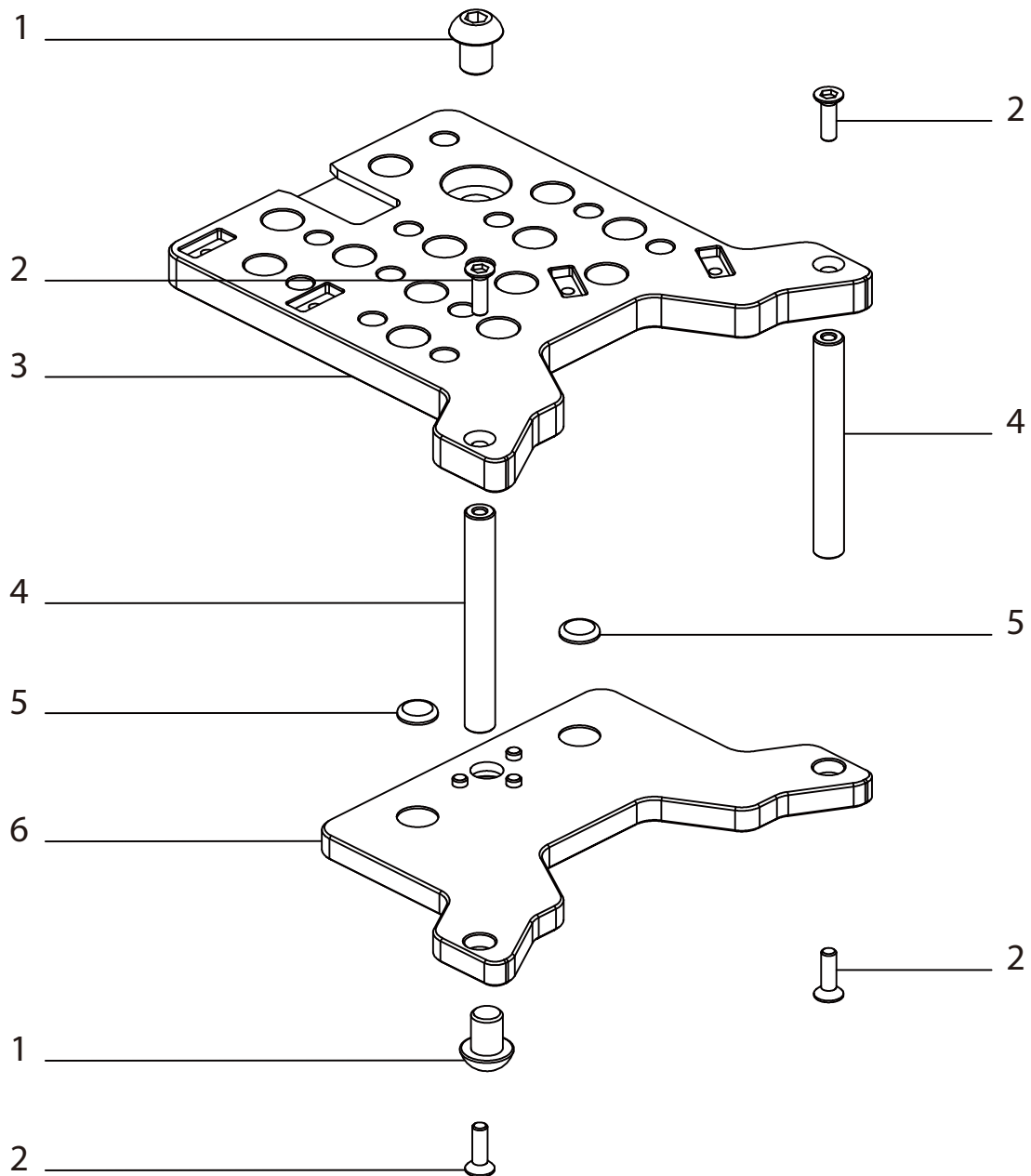
English

## List Of Articles



*\* All illustrations in this manual are for reference only. The physical product may also differ from the schematic diagram due to continuous updates and upgrades.*

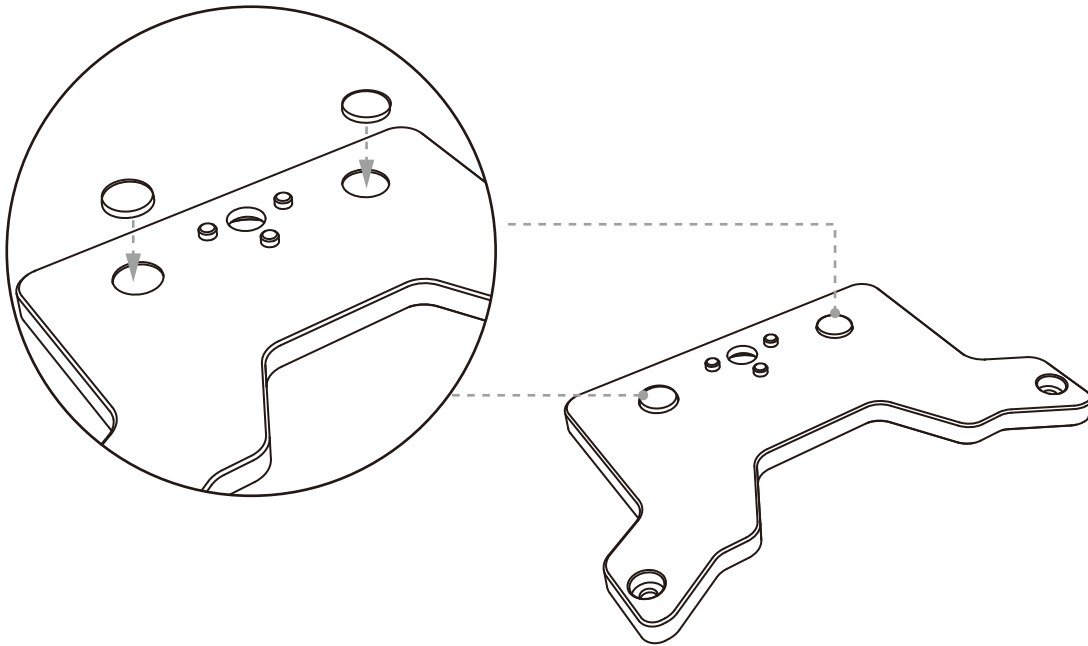
## PR4 Cage Exploded View



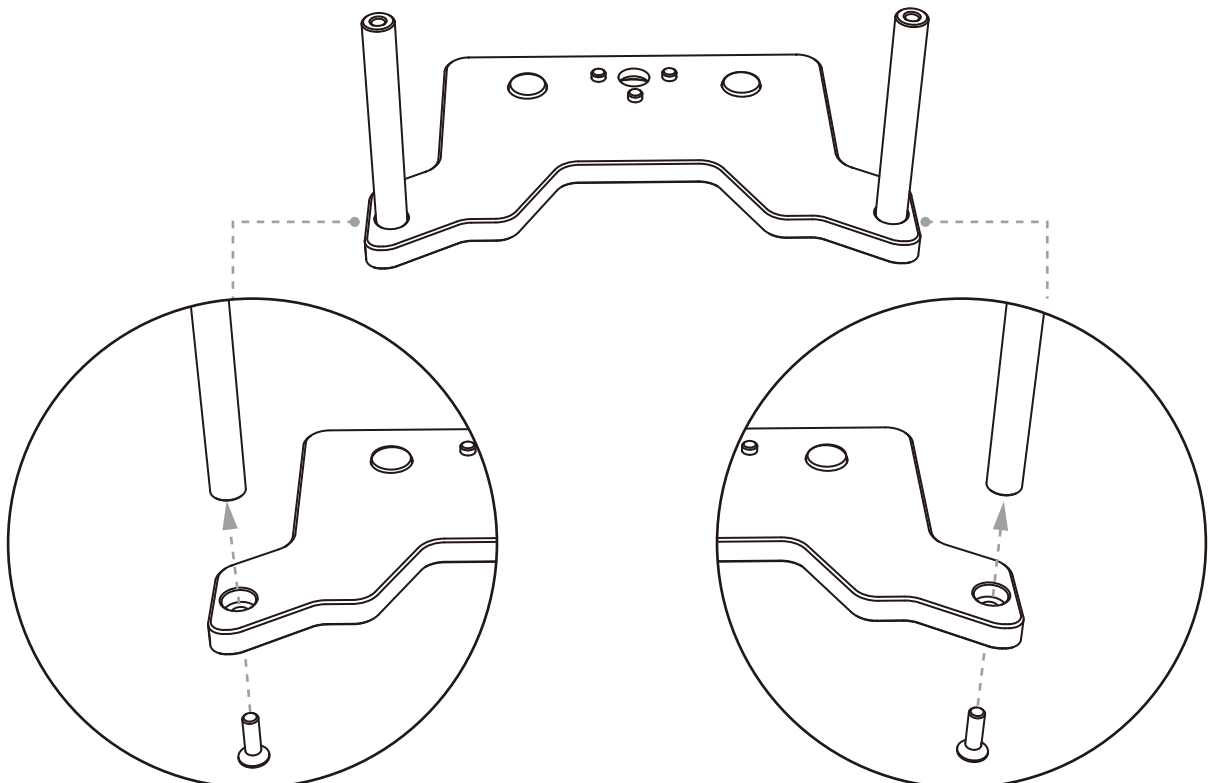
- (1) Larger screw--Hex socket screw — 1/4"-20 thread, thread length 8 mm;
- (2) Small screw--Torx countersunk screw — KM3.0 × 8.0;
- (3) Top plate;
- (4) Lanyard rod;
- (5) Silicone Anti-Slip Pad;
- (6) Bottom plate

## Deity PR4 Cage Installation Diagram

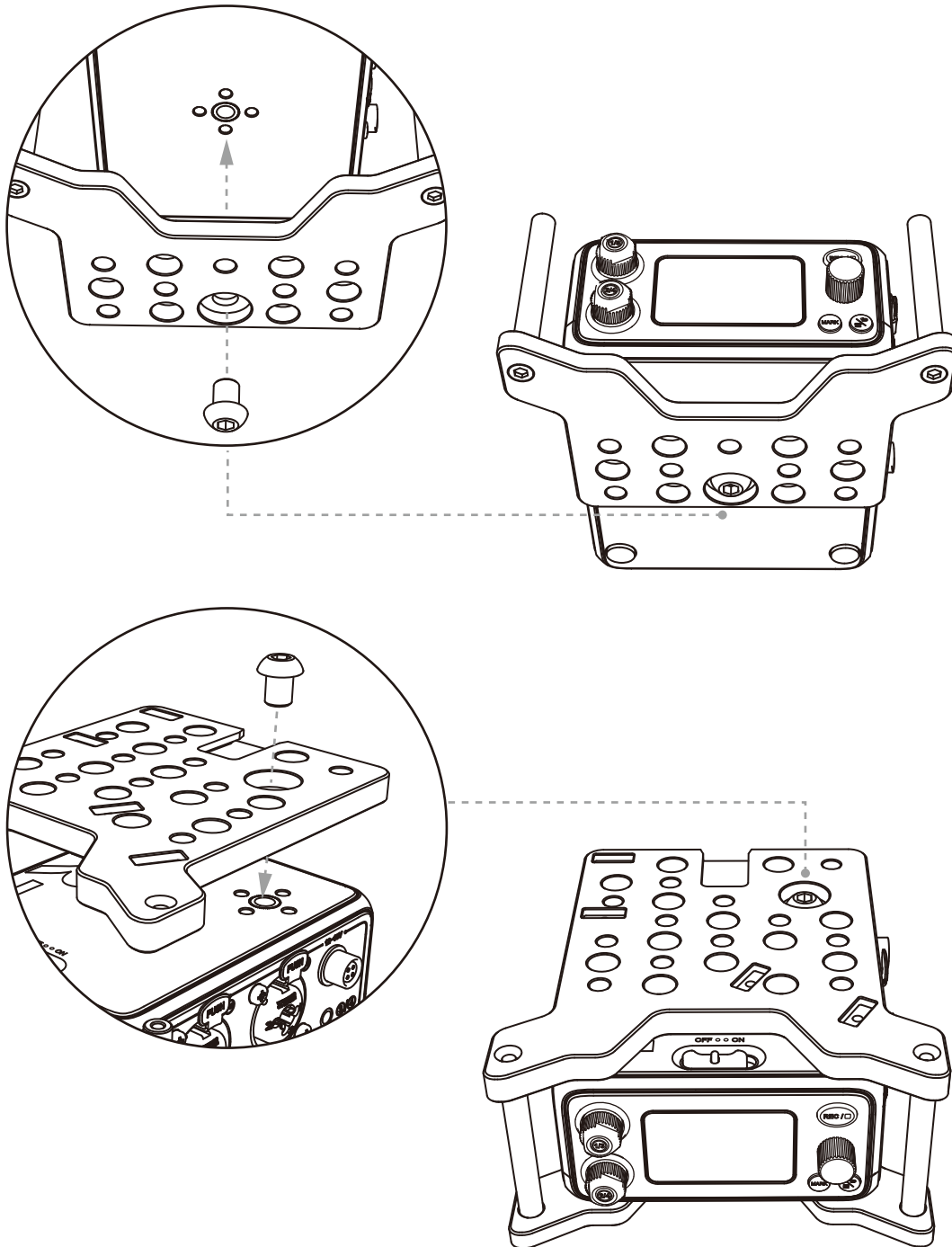
Step A: Attach the two silicone anti-slip pads (5) to the indicated positions on the bottom plate (6).



Step B: Align the lanyard rod (4) with the mounting holes on the bottom plate (6) and keep it vertical. Using a T9 screwdriver, fasten the small screws (2) from the underside to secure the bottom plate and the lanyard rod.



Step C: At the center of the bottom, use an H4 screwdriver to tighten the large screw (1), securing the PR-4 recorder to the bottom plate (6). Then place the top plate (3) and use the same screw to secure the PR-4 recorder at the upper-right position.



Step D: Align the top plate (3) with the lanyard rod (4) and corresponding holes, and place it over from above. Using a T9 Torx screwdriver, tighten the small screws (2) from the top to secure the upper and lower structure.

